



Corning® Varioptic® A-16F Variable Focus Lens

Overview

The Corning® Varioptic® A-16F variable focus lens is based on Corning's breakthrough adjustable lens technology, allowing variable focus with absolutely no moving parts. Its low power consumption, high shock resistance, and fast focus ability make it ideally suited for auto focus and continuous auto focus applications in portable devices, where it will deliver outstanding performance, as well as in laser applications, where it will enable variable focus control. For more information on this lens, please refer to the A-16F Technical Data Sheet (TEDS).

Ordering Information

- **Corning® Varioptic® A-16FX-P12 variable focus lens:** Packaged A-16FX – 4-pin, 1 mm pitch straight flex cable (X=0,1,9)

Performance Summary

- 20 diopters dynamic range
- Low wave front error, 35 nm typical
- Low power consumption: 20 mW typical, including driver

Example of Applications

- Barcode readers, machine vision
- Medical endoscopes
- Industrial endoscopes



Contents

Opto-Electrical Performance.....	2
Electrical Specifications.....	3
Temperature Range.....	4
Transmission Performance.....	4
Mechanical Dimensions.....	5
Integration of A-16F.....	6
Traceability of A-16F.....	6

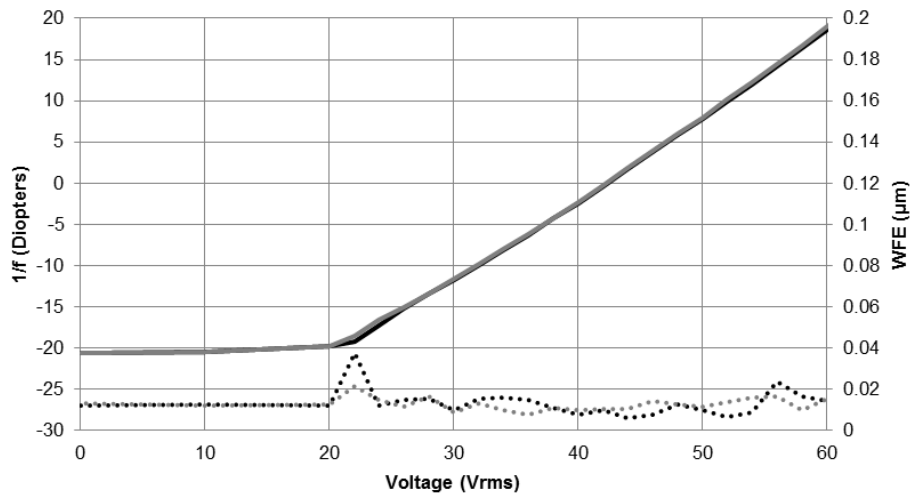
Opto-Electrical Performance

@25°C, @635 nm unless otherwise stated.

Parameter	Unit	Symbol	Typ	Notes
Aperture size	mm	\varnothing_e	1.6	(1)
Low optical power	m^{-1}	P_L	-5	
Voltage for P_L	V	V_L	TBD	
High optical power	m^{-1}	P_H	+15	
Voltage for P_H	V	V_H	TBD	
Optical power @ 0V	m^{-1}	P_o	-20	
Wave Front Error, rms	nm	WFE_{rms}	35	(2) ; (4)
Voltage @ 0 diopter	V	V_{0D}	42	(4)
Slope	$(m.V)^{-1}$	S	1.1	(3) ; (4)
Transmission @ 587 nm	%	T_{587}	97	

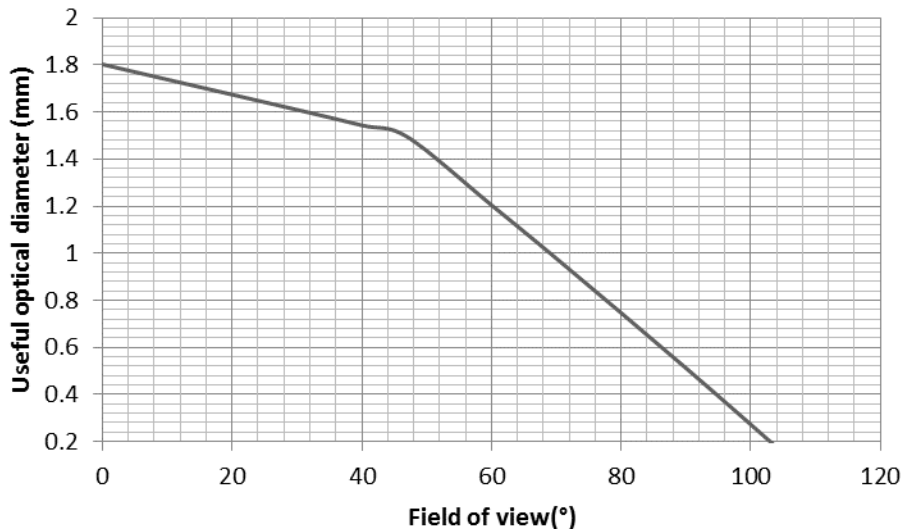
Notes:

- (1) Pupil size on the bottom part of the lens. For more details, please refer to the “Optical Design Information” section.
- (2) Measured on pupil size and on [P_L ; P_H] – WFE is mainly astigmatism.
- (3) Parameter is compiled on [P_L ; P_H].
- (4) Parameter measured with a 2 V sampling.



Field of View

The diagram below indicates the half field of view of the A-16F0 depending on the clear aperture.



Electrical Specifications

<i>Parameter</i>	<i>Unit</i>	<i>Symbol</i>	<i>Min</i>	<i>Typ</i>	<i>Max</i>	<i>Notes</i>
Capacitance	pF	C		95		TBC
Q Factor	-	Q		34		
Current consumption	μA	I _{max}			TBD	
AC input Voltage, rms	V	V _{rms}			70	

It is recommended that the lens be used only with a qualified driver.

For laboratory tests, a square signal can be applied using a laboratory function generator, providing that the signal contains no DC voltage. Use of DC voltage or DC/AC voltage combinations will lead to abnormal behavior and limited lifetime of the adjustable lens.

The following driver ICs are qualified for use with Corning Varioptic A-16F lenses:

- Maxim MAX 14574
- Microchip HV 892

Temperature Range

Parameter	Unit	Min	Typ	Max	Notes
Operating temperature range	°C	-20°C	25	+60°C	(1)
Storage temperature range	°C	-40°C	25	+85°C	

Note:

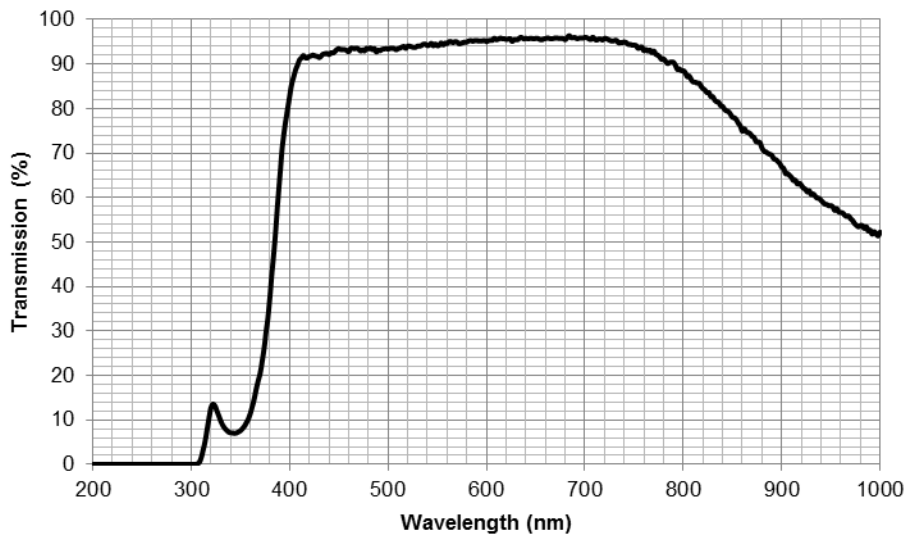
(1) -30°C to 85°C under evaluation

Remarks:

- Corning Varioptic Lenses are not designed to be soldered. For electrical connection, please refer to the application notes.
- Storage above maximum storage temperature will reduce lifetime of the lens. Temporary or permanent damage may occur if the maximum temperature is exceeded.

Transmission Performance

The two outer surfaces of the glass windows of the lenses have anti-reflective (AR) coatings. These AR coatings have been optimized in the visible range.



Mechanical Dimensions

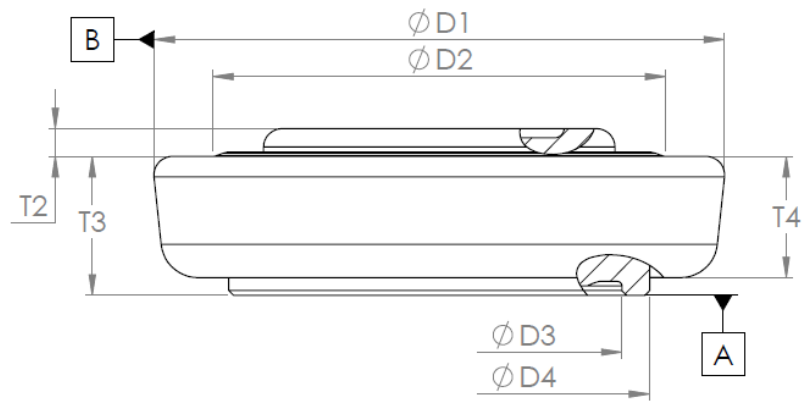
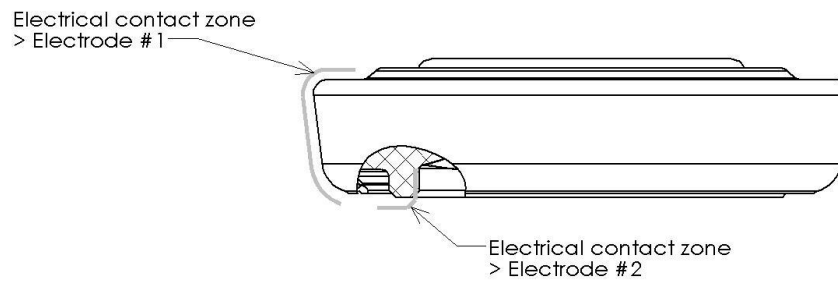


Figure 1 Mechanical Dimensions

Parameter	Unit	Symbol	Min	Typ	Max
External diameter	mm	D1	6.11	6.18	6.24
Inside interface diameter	mm	D2		4.90	
Inside electrode diameter	mm	D3		3.75	
Outside electrode diameter	mm	D4		4.55	
Thickness, front area	mm	T2		0.22	
Thickness, flat to bottom	mm	T3	1.58	1.66	1.74
Thickness, flat to cap edge	mm	T4		1.36	

Integration of A-16F

Electrical connection is done like a coin battery on the top and bottom parts of the lens. Locations of electrical contact are shown in the drawing below:



A 5 Ω max contact resistance is recommended for appropriate electrical connection.

For more details about electrical connection, please check the application notes related to Corning Varioptic Lenses.

Traceability of A-16F

All adjustable lenses are marked with a batch number and serial number.



* Unlike above picture, A-16F will have a metal color. Clear aperture of attached picture is 2.5 mm.

Corning reserves the right to change its product specifications at any time without notice. Please ensure you have the latest applicable specification before purchasing a Corning product. It is customer responsibility to determine the suitability of Corning's product to its own application. Corning does not provide any warranty of merchantability or fitness for a particular purpose. Product specifications are available upon request at varioptic@corning.com.